

OPTICAL FIBER

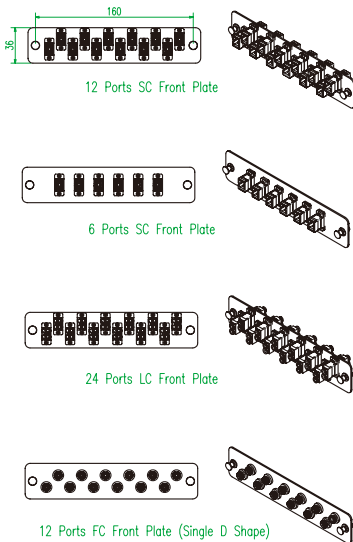
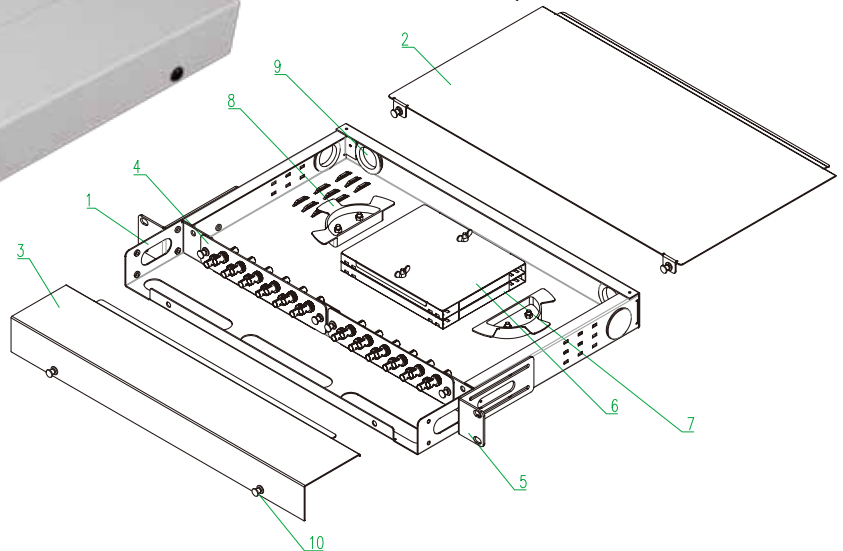
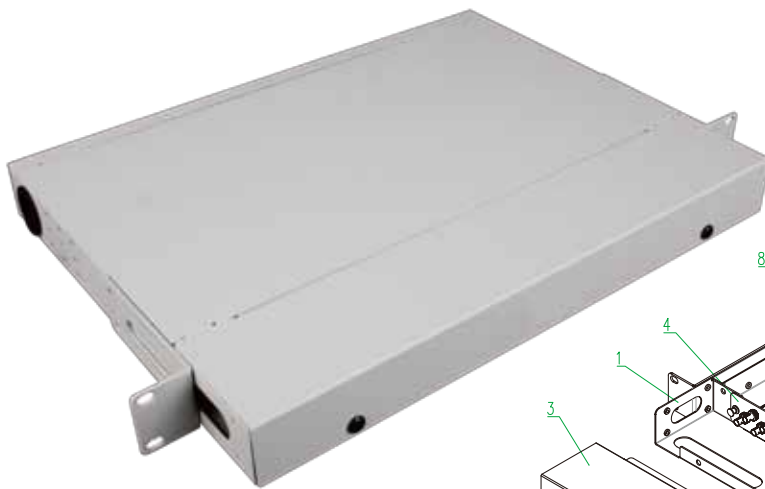
AIS Optical Distribution Frame (ODF)

Product Introduction

AIS has brought you complete series of fiber optic connectivity mounting products, Optical Distribution Frame (ODF) is available in all adapters such as LC, SC, ST, FC to Hybrid connectors. Many different designs meet your various installation demands, making your installation neat and efficient.

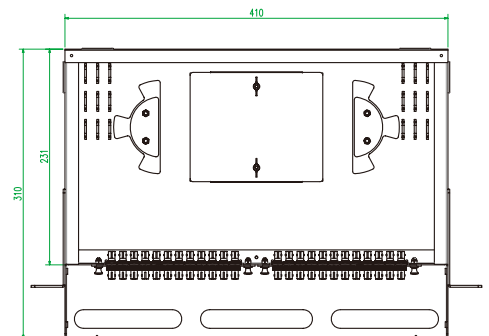
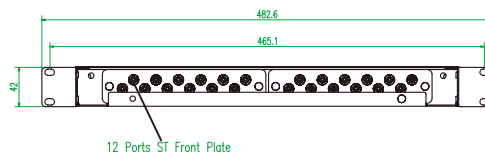
Product Features

- Front patch cord cable tray provides great protection to the fiber cables
- Come with fiber splicing tray, easy and neat fiber route managing
- Suitable for both single mode and multimode installations
- Maximum 48 core fiber capacity
- Come with all different installation required accessories



10	Snag-in Lock	8	Plastic		Black	
9	Cable Plug	4	Rubber		Black	
8	R34 Fiber Spool	2	ABS		Black	
7	Fiber Splice Cassette	2	Alum.	0.6	0.2	Beige
6	Fiber Splice Cassette Cover	1	Alum.	0.6	0.08	Beige
5	Mounting Ear	2	Alum.	2.0	0.08	Beige
4	Front Plate with ST 12 Ports	2	Alum.	1.5	0.16	Beige
3	Front Cover	1	Alum.	1.2	0.2	Beige
2	Roof Cover	1	Alum.	1.2	0.3	Beige
1	Layer Board	1	Alum.	1.2	0.4	Beige

Other painted color optional.



Specifications

Dimension	410mm width x 42mm height x 231mm depth
Color	Black or Beige

Product Code	Description
AF-005N0BK	1U 48 port ODF with LC adapters
AF-006N0BK	1U 24 port ODF with SC adapters
AF-007N0BK	1U 24 port ODF with ST adapters
AF-008N0BK	1U 24 port ODF with FC adapters